

PRODUCT DATA SHEET

Mercury mini Halo soffitto - Inox

**DESIGN BY :**

Ross Lovegrove
2012

MATERIALS :

Painted steel, stainless steel, chrome aluminium, thermoplastic material

DESCRIPTION :

Range extension of Mercury series, in smaller dimension. "A ceiling fixture that places a floating assembly of large pebbles below a simple modern disc. These in turn reflect each other bouncing light between their taught bio - morphic surfaces and reflecting the environment around them. During the day the piece acts as a sculptural object reflecting the dynamics of natural light and the movement of people around them." Materials: structure in brushed stainless steel and painted aluminum. Light fixtures in chromed aluminium. Hanging in chromed plastic.

Light emission

Indirect

IP 20  



TECHNICAL DATA SHEET

FEATURES

Product name:	Mercury mini Halo soffitto - Inox
Article Code:	1478010A
Colour:	Metal grey / mirror
Material:	Painted steel, stainless steel, chrome aluminium, thermoplastic material
Series:	Design, Hydro
Environment:	Indoor
Area contract:	Hospitality Hotel, Office, Private Residence

OPTICS

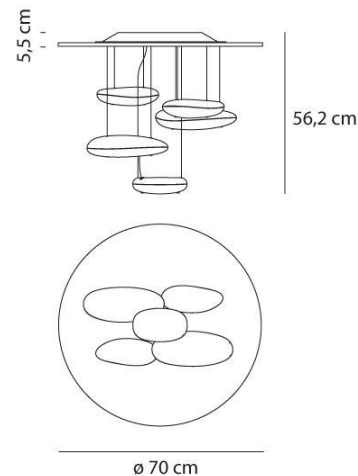
Emission:	Indirect
-----------	----------

DIMENSIONS

Height:	(cm) 56.2
Cutout width:	(cm) 70
Cutout shape:	

LAMPS INCLUDED

Category:	HALO
Number:	1
Lbs:	Qt-de12
Watt:	160
Socket:	R7s
Type:	Hdg
Luminous Flux (lm):	3300
Colour Rendering:	1a
Colour temperature (K):	2950
Duration (h):	2000

DIMENSIONS**LAMP**

IP 20  

